

Model **F-STT**

Tilt Level Switch



F-STT

TILT LEVEL SWITCH

Features

Tilt switches are specially designed to use for High Alarm of various Silo contained solid material. Recently these switches are used to monitoring the flow of conveyor or by using the float, high alarm of liquid tank can be taken.

- Low cost
- Reliable operation
- Easy Installation

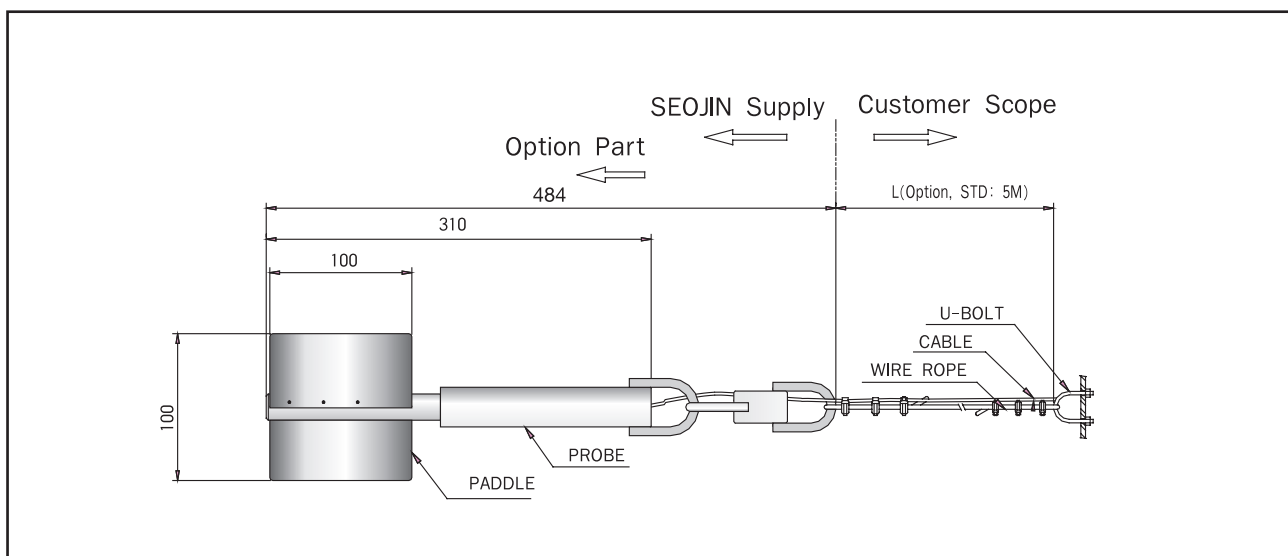
Specifications

Model	F-STT	
Contact Angle	20 ±1°	
Operating Temp.	Max 150℃	
Contact Capacity	AC 120V 1A	
Cable Gland	PF 1/2" (15A)	
Cable	VCT 0.75 ^{SQ} × 2 C, ø 8, STD length 5m	
Wire Rope	ø 3.2 304SS, STD length 5m	
Tensile Load	Max. 1800kgf	
Gross Weight	Approx 6kg (Body with cable only)	
Material	Probe	304SS
	Extension Paddle	304SS
	Wire Rope	304SS

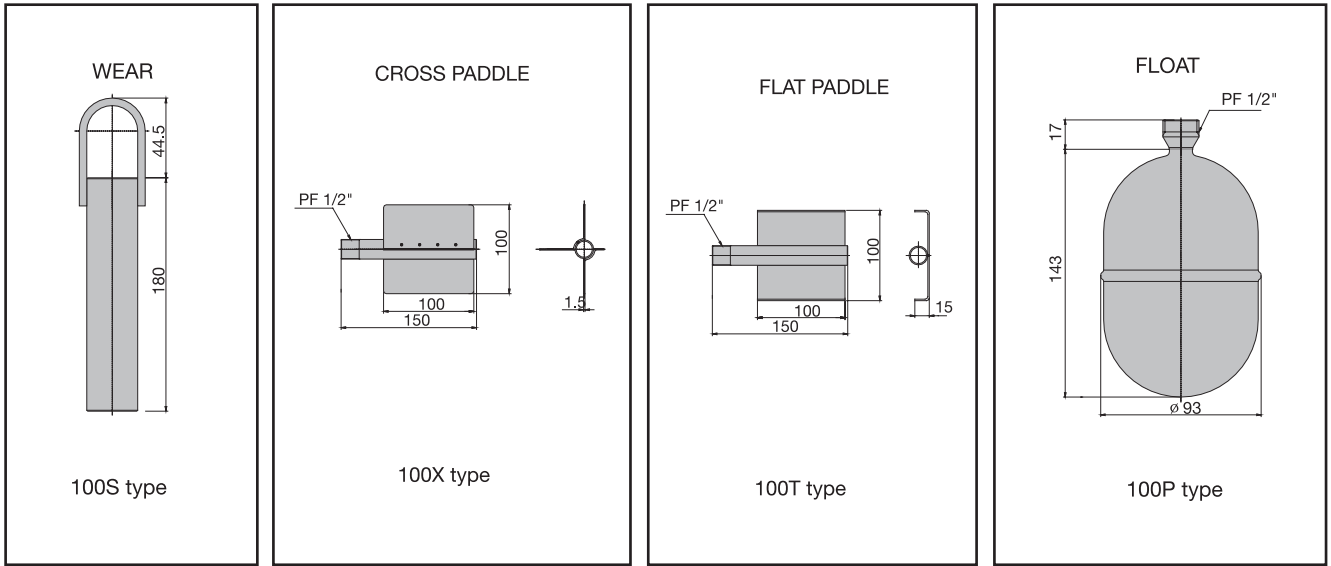


Overall Dimensions

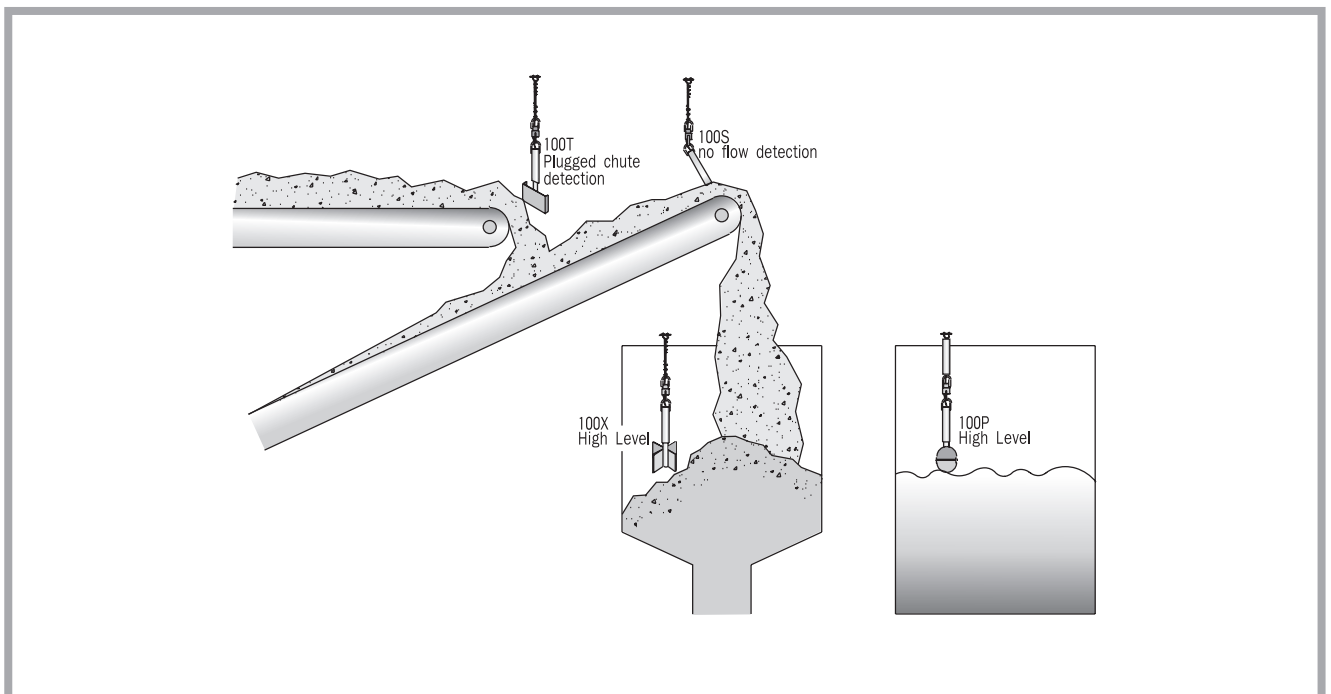
■ Housing



■ Paddle



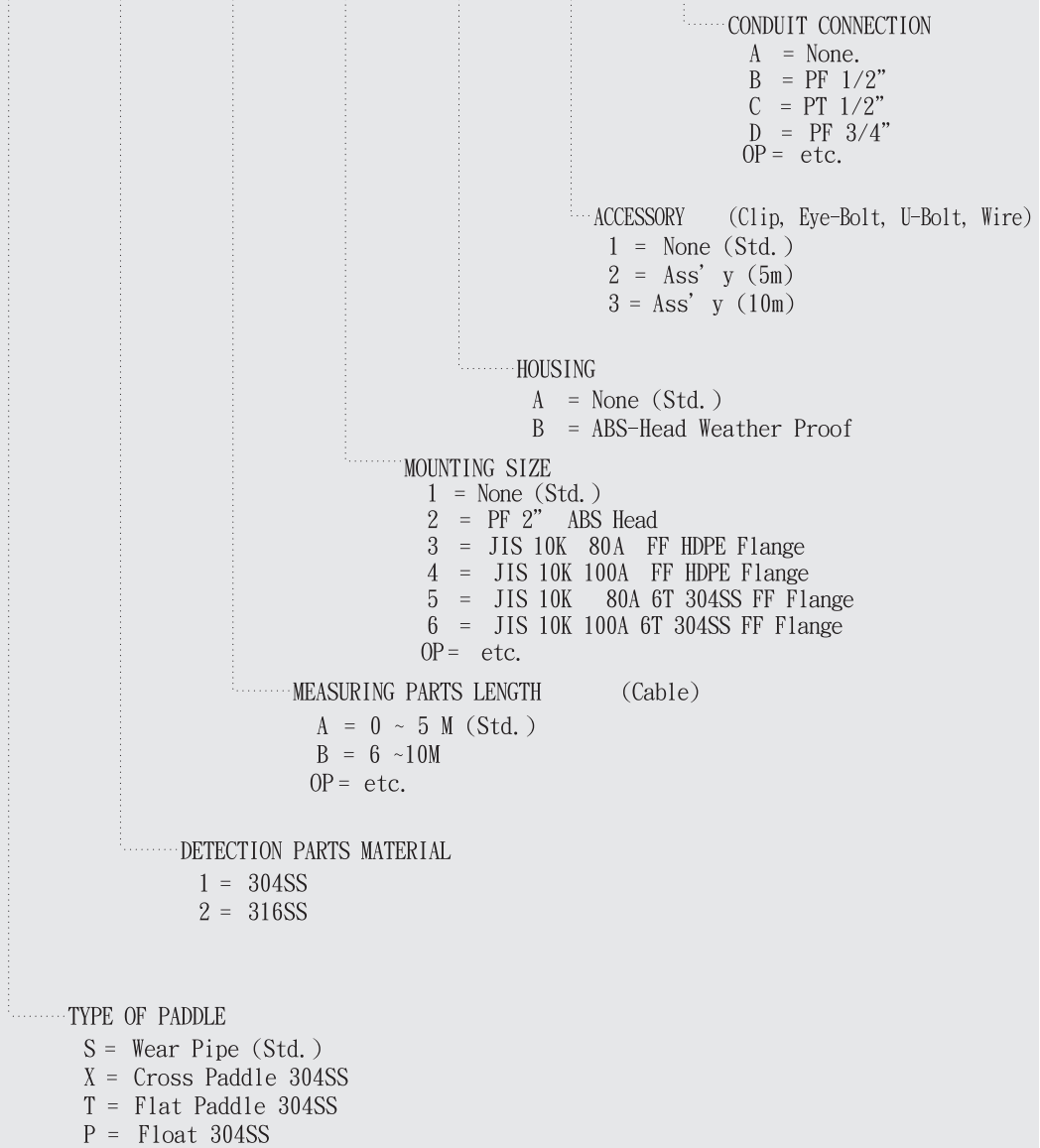
■ Example of general purpose application



Ordering Informations

■ TILT LEVEL SWITCH

F-STT - S 1 A 1 A 1 A



■ When placing an order, selected ordering number should be indicated on the purchase order sheet.



Fayin Enterprise Limited Instruments
 8F-2, No.341, Zhong Xiao E. Rd., Sec.4, Taipei City 10696, Taiwan, R.O.C.
 TEL:886-2-27723316 FAX:886-2-81926485
<http://www.fayin.com.tw> fayin.tw@msa.hinet.net

■ Specifications subject to change without notice.