

Respond to the needs; "safe and comfortable"

# FAYIN

For vibration monitoring and control  
with simple and reliable.



## ■ FEATURES

- Three types; measurements for displacement, velocity and acceleration.
- As output is 4 to 20 mA, it is possible to connect to recorder, indicator and sequential circuit directly.
- Small size! light weight! low price! All in one type for sensor, amplifier and transmitter.
- It is only double lines type, joined together for both lines, power supply and signal.

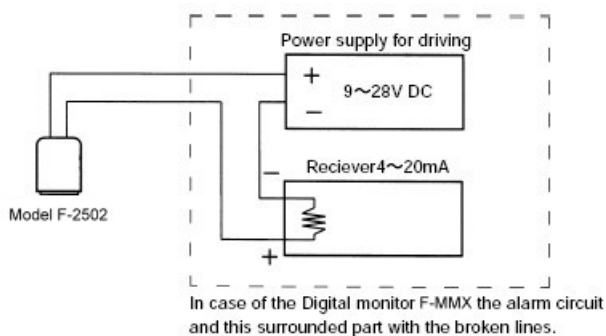
## ■ APPLICATIONS

- For simple vibration monitoring system with low cost.
- As for assembling into the electric motors, blowers, pumps and the other various rotating machines.
- As the vibration sensor in the automatic inspection system.
- As for the simple type vibration meter.
- For trend recording of vibration level.

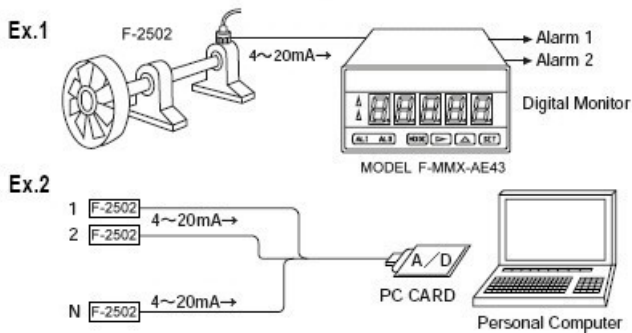
# Vibration Transmitter VIBRO-CONVERTER



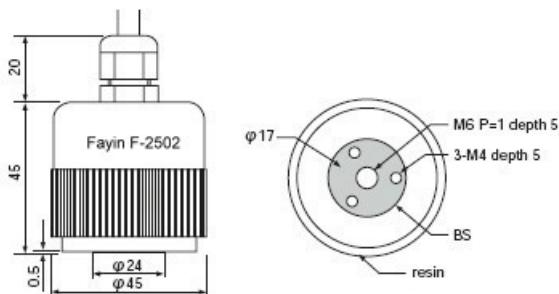
## Basic Wiring Circuit



## Examples for the indicators and meters to be possible to connect



## Drawing for the External View



## Specifications

Model	F-2502-03	F-2502-02	F-2502-01
Type	Displacement	Velocity	Acceleration
Full scale range	200 $\mu$ mP-P	50mm/s RMS	100m/s <sup>2</sup> Peak
Measuring range	1%~110% of Full scale		
Output current	4 to 20mA		
Frequency range	10~500Hz	10~1000Hz	5~1000Hz
Linearity	Within 1%		
Accuracy	Within 5% ( 80Hz, 1/2 Full scale, 20°C )		
Transverse sensitivity	Less than 5%		
Driving voltage	9~28V DC		
Warming up time	10sec. approx		
Ambient temperature	-20°C to +60°C		
Protection	IP64		
Vibration limit	200m/s <sup>2</sup> for continuous 1000m/s <sup>2</sup> for shock		
Resonant frequency	5kHz approx		
Withstand voltage	AC1500V 1minute		
Output cable	3m pig tale ( VCTF 2x0.75mm <sup>2</sup> )		
Dimensions	$\phi$ 45xH45mm		
Weight	105g without cable		
Accessories	Setscrew M6 R=10		
Option	Digital monitor F-MMX-AE43 Mounting base		

## Option



## Digital Monitor Model F-MMX-AE43

The Digital Monitor Model F-MMX-AE43 receives a 4-20mA signal from the vibration converter, scales it into a vibration value for digital display and allows the

vibration to be monitored by using a 2-high limit position alarm contact output. As an operating power supply for vibration converter is incorporated to make installation easier.

## Specifications

Input signal :	4-20mA (Span/Zero fine adjuster provided)
Indication range :	Can be set at 0 to intended value on scale value.
Indicator :	7-segment red LED, 5-digit
Sampling cycle :	16 seconds.
Accuracy :	$\pm 0.1\% \pm 1$ digits (23°C $\pm 5^\circ$ C)
Power supply for converter :	+24V, 40mA max.
Alarm setting (option) :	2 high limit positions AL I (HH) and AL II (H)
Alarm value check :	Indicated for about 10 sec. by pressing AL I or AL II
Alarm relay contact :	Transfer. Rating AC 250V 5A, DC 30V 5A max.
Alarm delay :	Can be set at 0~99.9 sec. as desired.
Analog output (option) :	0-10V, 4-20mA when ordering.
Power supply :	AC 85~264V 50/60Hz, 5VA or less
Operating temp. and humidity :	0-50°C, 85%RH max. (No dewing shall occur.)
Dimensions and weight :	96(W)x48(H)x90.4(D) mm Approx 300g

Document No.: FA.D.F-2502 EV2.1