

# MASS FLOW METERS

With or Without LCD Display

## F-TMF Series

- ±1% Accuracy
- Linear Output
- Thermal Technology
- For Using in Non Corrosive Gases
- For Flow Rates up to 200 SLM
- Power Supply Included



The F-TMF Thermal Mass FLOW METERS provide high performance. Thermal Technology offers advantages in accuracy, sensitivity and turn quality components and the latest technology are combined to provide reliable, compact meters and controllers. The F-TMF Series comes with or without an LCD display, and all models come with linear 0-5 VDC and 4-20 mA output. The F-TMF Series measures the mass flow rate of gases in 3 ranges from 0-100 SLM to 0-200 SLM as shown in the range table.

### Technical Data

#### Wetted Material:

Option available. O-ring- Viton.

**Output Signal:** 0-5 VDC Linear min. load 1000Ω or 4-20 mA Linear, loop resistance 500Ω

**Input Power:** 24 VDC Standard, optional power supply 15 VDC 115 VAC, 220 VAC @500mA

**Accuracy:** +/- 1% FS (including Linearity)

**Turn Down Ratio:** 100:1

**Repeatability:** +/- 0.15% FS or better

**Electric Connection:** 9 Pin Sub "D"

**Process Connection:** 1/2" NPT Female

**Range:** 0-100 SLM to 0-200 SLM

**Minimum Pressure:** 1" H<sub>2</sub>O

**Max Pressure:** 500 PSIG

**Response Time:** 1 Second

**Temp. Coefficient:** 0.05% Full scale per 1°C or better

**Pressure Coefficient:** 0.01 % full scale per PSIGw or better

**Weight:** app. to 1.64 kg with power supply

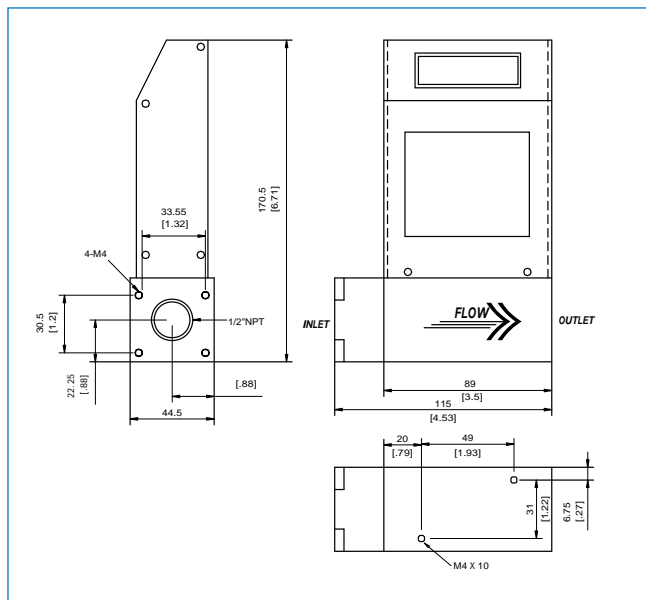
### Range Table

Code	SLM
00	0-100
01	0-150
02	0-200
03	Custom Flow Rate

#### NOTE

Performance Technical Data are effective with date of issue and are subject to change without prior notice.

### Dimensions



### Ordering Information

F-TMF	Code	Flow Range
	00	0-100 SLM
	01	0-150 SLM
	02	0-200 SLM
	03	Custom size (Please directly fill in the requested range)
	<b>Code</b>	<b>Wetted Material</b>
		(A) 316SS (O) Option
	<b>Code</b>	<b>Process Connection</b>
	1	1/2" NPT (F)
	<b>Code</b>	<b>Display</b>
	W	With display
	O	Without display
	<b>Code</b>	<b>Output Signal</b>
		(1) 0-5VDC (2) 4-20 mA
	<b>Code</b>	<b>Power Supply</b>
		(1) with (2) without