

MASS FLOW METER

With or Without LCD Display

F-TLF Series

±1% Accuracy Linear

Output Thermal

Technology

For Using in Non Corrosive gas

For Flow Rates up to 75 SLM

Power Supply Included

The Thermal Mass Flow Meters provide high performance. Thermal Technology offers advantages in accuracy, sensitivity and turn quality components and the latest technology are combined to provide reliable, compact meters and controllers. The F-TLF Series comes with or without an LCD display, and all models come with linear 0-5 VDC and 4-20 mA output. The F-TLF Series measures the mass flow rate of gases in 23 ranges from 0-10 SCCM to 0-100 SLM as shown in the range table.

Technical Data

Wetted Material:

Standard flowbody– 316 Stainless Steel, Option– Tapcon (Max. pressure) 10 bars

Option available. O-ring– Viton.

Output Signal: 0-5 VDC Linear min. load 1000 Ω or 4-20 mA Linear, loop resistance 500 Ω

Input Power: 24 VDC Standard, optional power supply 15 VDC 115 VAC, 220 VAC @500mA

Accuracy: +/- 1% FS (including Linearity)

Turn Down Ratio: 100:1

Repeatability: +/- 0.15% FS or better

Electric Connection: 9 Pin Sub “D”

Process Connection: 1/4” NPT Female

Range: 0-10 SCCM to 0-100 SLM

Minimum Pressure: 1” H₂O

Max Pressure: 500 PSIG

Response Time: 1 Second

Temp. Coefficient: 0.05% Full scale per 1°C or better

Pressure Coefficient: 0.01% full scale per PSIG or better

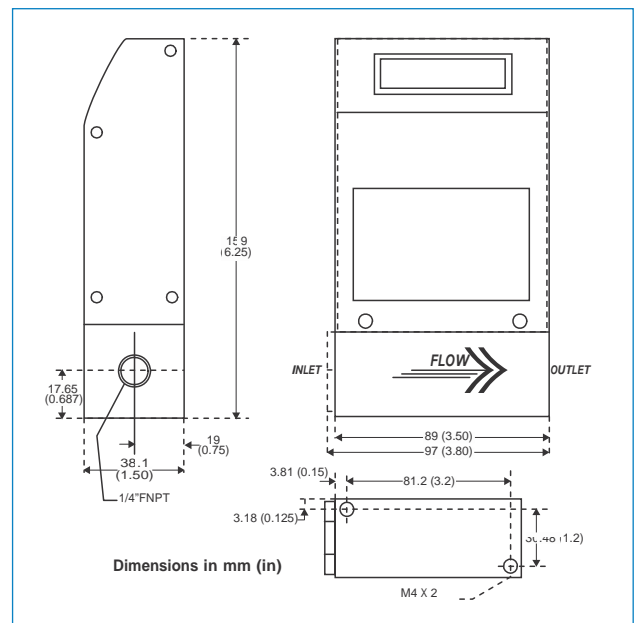
Weight: app. 1.08 kg with power supply

Range Table

Code	SCCM	Code	SLM	Code	SLM
00	0-10	06	0-1	14	0~35
01	0-20	07	0-2	15	0~40
02	0-50	08	0-5	16	0~45
03	0-100	09	0-10	17	0-50
04	0-200	10	0-15	18	0~55
05	0~500	11	0-20	19	0-60
		12	0-25	20	0-65
		13	0-30	21	0-70
				22	0-75
				23	0-100
				24	Custom Flow Rate



Dimensions



Ordering Information

F-TLF	Code	Flow Range
	00	0-10 SCCM
	01	0-20 SCCM
	02	0-50 SCCM
	03	0~100 SCCM
	04	0~200 SCCM
	05	0~500 SCCM
	06	Custom size (Please directly fill in the requested range)
	Code	Wetted Material
	(A)	SS316 (T) Tapcon (O) Option
	Code	Process Connection
	1	1/4" NPT (F)
	Code	Display
	W	With display
	O	Without display
	Code	Output Signal
	(1)	0-5VDC (2) 4-20 mA
	Code	Input Power
	(1)	24VDC (2) 15 VDC
	Code	Power Supply for 24 vdc
	(1)	with
	(2)	without