

# MASS FLOW METERS

## With or Without LCD Display

### F-THF100 Series

**±1% Accuracy Linear Output Thermal Technology**  
**For Using in Non Corrosive Gas**  
**For Flow Rates up to 500 SLM Power Supply Included**

The Thermal Mass Flow Meters provide high performance. Thermal Technology offers advantages in accuracy, sensitivity and turn quality components and the latest technology are combined to provide reliable, compact meters and controllers. The F-THF Series comes with or without an LCD display, and all models come with linear 0-5 VDC and 4-20 mA output. The F-THF Series measures the mass flow rate of gases in 4 ranges from 0-250 SLM to 0-500 SLM as range table.

#### Technical Data

##### Wetted Material:

Standard flowbody- 316 Stainless Steel,  
 Option available. O-ring- Viton.

**Output Signal:** 0-5 VDC Linear min. load 1000 $\Omega$  or  
 4-20 mA Linear, loop resistance 500 $\Omega$

**Input Power:** 24 VDC Standard, optional power supply  
 15 VDC 115 VAC, 220 VAC @500mA

**Accuracy:** +/- 1% F.S (including Linearity)

**Turn Down Ratio:** 100:1

**Repeatability:** +/- 0.15% F.S or better

**Electric Connection:** 9 Pin Sub "D"

**Process Connection:** 1/2" NPT Female

**Range:** 0-250 SLM to 500 SLPM

**Minimum Pressure:** 1" H<sub>2</sub>O

**Max Pressure:** 500 PSIG

**Response Time:** 1 Second

**Temp. Coefficient:** 0.05% Full scale per 1°C or better

**Pressure Coefficient:** 0.01% full scale per PSIG or better

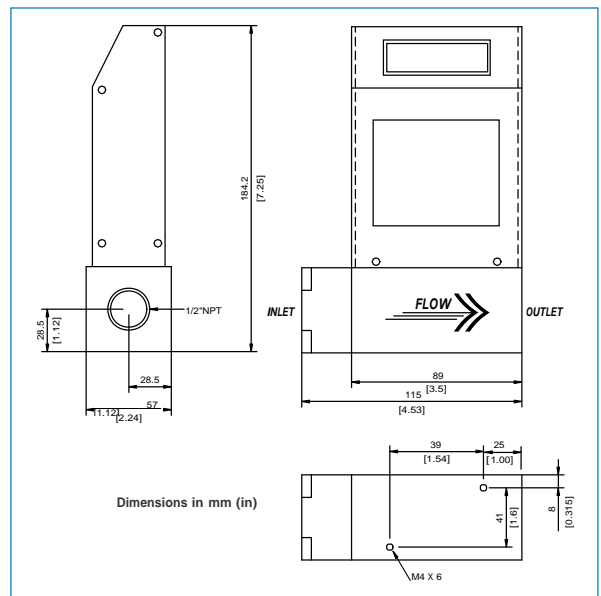
**Weight:** app. to 2.45 kg with power supply

#### Range Table

Code	SLM
00	0-250
01	0-300
02	0-400
03	0~500
04	Custom Flow Rate



#### Dimensions



#### Ordering Information

F-THF	Code	Flow Range	Code	Flow Range
	00	0-250 SLM	02	0-400 SLM
	01	0-300 SLM	03	0-500 SLM
	04	Custom size (Please directly fill in the requested range)		
		<b>Code</b>	<b>Wetted Material</b>	
		(A)	SS316 (O) Option	
		<b>Code</b>	<b>Process Connection</b>	
		1	1/2" NPT (F)	
		<b>Code</b>	<b>Display</b>	
		W	With display (O) Without display	
		<b>Code</b>	<b>Output Signal</b>	
		(1)	0-5VDC (2) 4-20 mA	
		<b>Code</b>	<b>Input Power</b>	
		(1)	24VDC	
		(2)	15VDC	
		<b>Code</b>	<b>Power Supply for 24vdc</b>	
		(1)	with	
		(2)	without	
F-THF				