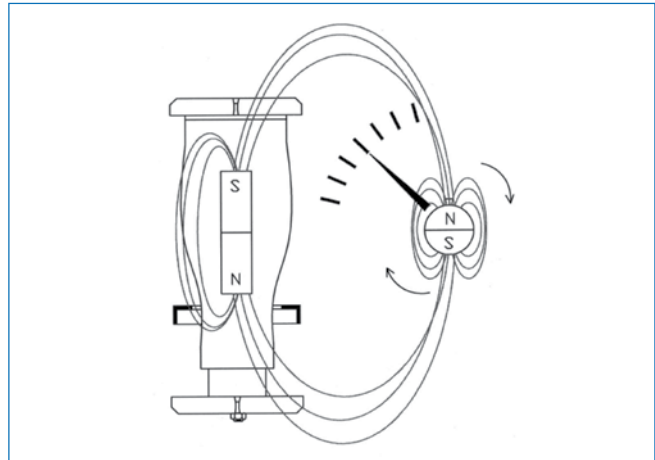


# METAL TUBE FLOW METER

## F-BF300 Series



### Principle



### Technical Data

**F-BF300 for High flows of gases, liquid and steam**

**Material:** Aluminum alloy case with paint.

**Body wetted parts:** in 316SS, PTFE lined, plastic. Others on request.

Indication via magnetic coupling (no sealed)

**Scales calibrated:** in l/h, m<sup>3</sup>/h, kg/h, %, etc.

**Flow rates for:**

– Water : 30 l/h up to 120,000 l/h.

(special ranges on request)

– Air : 0.1 Nm<sup>3</sup>/h up to 450 Nm<sup>3</sup>/h.

(special ranges on request) **Connection**

**types:**

– flange type, trip clamp & sanitary

(others on request)

**Connection size:** 1/2" ~ 5"

**Mounting Length:** 250 mm, standard;

350 mm, explosion proof

**Temperature:** 200°C(300°C option)

**Housing protection:** IP65 or Explosion Proof, CLASS I,

GROUPS B, C & D; CLASS II, GROUPS E, F, & G;

NEMA 4, 7, 9

**Accuracy:** ±2% FS, (±1.6 % F.S Option)

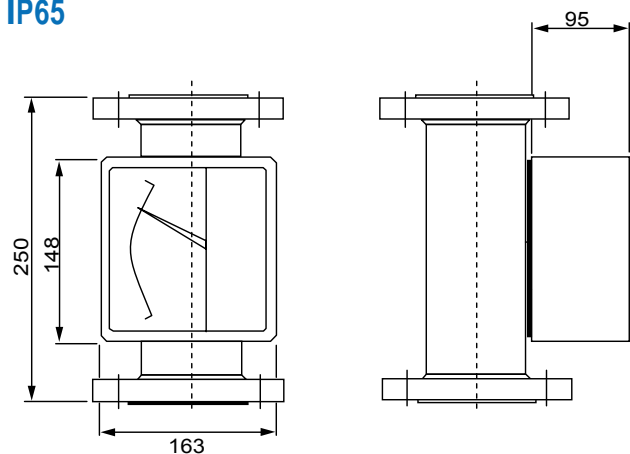
**Max pressure:** 40 kg/cm<sup>2</sup> (standard)

(Option: up to 100 kg/cm<sup>2</sup>)

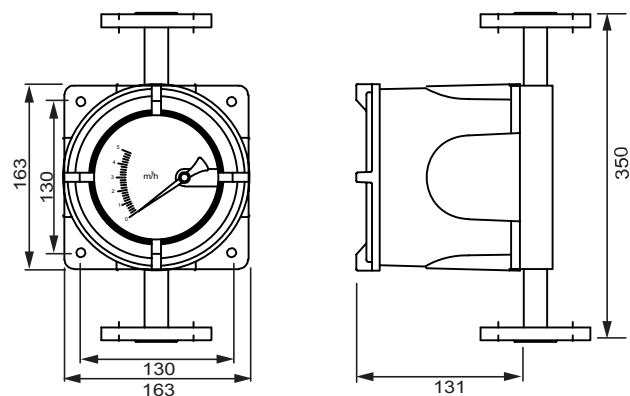
**Option:** Switch available (Micro Switch : 3A/250VAC, 5A/30VDC, 0.4/125VDC), Adjustable inductive alarm switch available, 4~20 mA two wires analog output available

### Dimensions

#### IP65



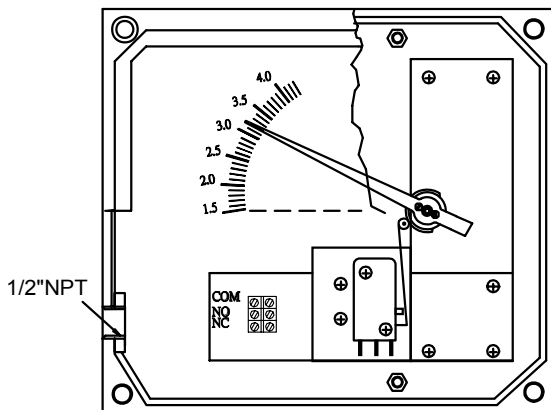
#### Explosion Proof



unit: mm

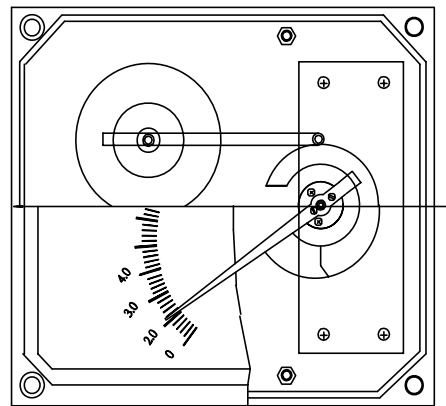
## Alarm / Analog output

### F-BF-300/GS-M (Micro Switch)



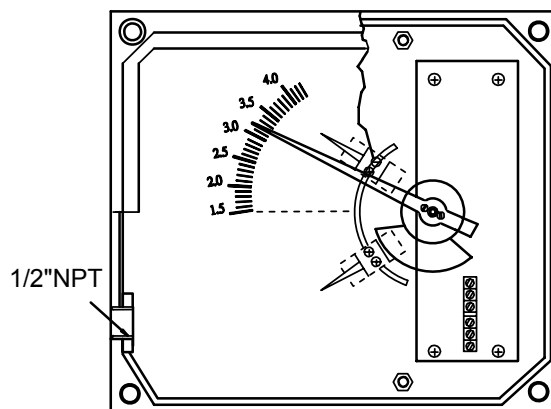
Adjustable Micro Switch, Series F-BF-300/GS-M  
or 2 adjustable alarm contact  
Load: 3A/250VAC  
Temperature: -25°C ~ + 100°C (AMB) Hysteresis:  
± 10% of full scale

### F-BF-300/GT (Analog Output)



Electric Transmitter F-BF-300/GT  
Analog output available : 4~20 mA  
(2wire) Power Supplier: 24Vdc  
Temperature: -25°C ~ + 100°C

### BF-300/GS-C (Inductive Switch)

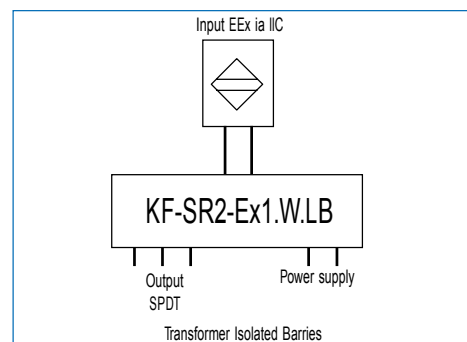


**Adjustable inductive alarm switch**  
**Inductive sensors slotted type :**  
**3.5mm slot switch**  
**DC. voltage 2 wire's to D1N19234(NANUR) for use**  
**in hazardous areas.**  
— Power supply: 8 Vdc(Ri.approx.1 kΩ)  
— Current consumption : Active face uncovered 3mA  
Active face covered 1mA  
— Ambient temp: -25°C ~ + 100°C

**Isolated barriers output relay for inductive sensor :**  
— Rail mounting  
— Control circuit EEx ia IIC  
— EMC acc to NAMUR NE2  
— Contact loading 253 VAC 2A SPDT 40 VDC 2A

**1 adjustable alarm**  
For 24VDC : KFD2-SR2-Ex 1.W  
5VAC : KFA5-SR2-Ex 1.W  
230VAC : KFA6-SR2-Ex 1.W

**2 adjustable alarm**  
For 24VDC : KFD2-SR2-Ex2.W  
5VAC : KFA5-SR2-Ex2.W  
230VAC : KFA6-SR2-Ex2.W



## Standard Scales

Tube	L/H 20°C Water	NM3/H Air 20°C 1.013bar	PmmWater	Connection
F-BF3001	4 ~ 30	0.1 ~1	≤750	1/2"
F-BF3002	4 ~ 40	0.13 ~ 1.3	≤750	1/2"
F-BF3003	5.5 ~ 55	0.17 ~ 1.7	≤750	1/2"
F-BF3004	8 ~ 80	0.2 ~ 2	≤750	1/2"
F-BF3005	16 ~ 160	0.5 ~ 5	≤750	1/2"
F-BF3006	18 ~ 180	0.6 ~ 6	≤750	1/2"
F-BF3007	30 ~ 300	1 ~ 10	≤750	1/2"
F-BF3008	50 ~ 500	1.5 ~ 15	≤750	1/2"
F-BF3009	60 ~ 600	1.8 ~ 18	≤750	1/2"
F-BF3010	70 ~ 700	2 ~ 20	≤750	1/2"
F-BF3011	100 ~ 1000	3 ~ 30	≤750	3/4"
F-BF3012	120 ~ 1200	4 ~ 40	≤750	1"
F-BF3013	160 ~ 1600	5 ~ 50	≤700	1"
F-BF3014	200 ~ 2000	6 ~ 60	≤700	1"
F-BF3015	240 ~ 2400	7 ~ 70	≤700	1"
F-BF3016	280 ~ 2800	8.5 ~ 85	≤700	1"
F-BF3017	320 ~ 3200	9 ~ 90	≤700	1"
F-BF3018	350 ~ 3500	10 ~ 100	≤700	1"
F-BF3019	500 ~ 5000	14 ~ 140	≤650	1½"
F-BF3020	600 ~ 6000	15 ~ 180	≤650	1½"
F-BF3021	700 ~ 7000	20 ~ 200	≤650	1½"
F-BF3022	800 ~ 8000	24 ~ 240	≤650	1½"
F-BF3023	1000 ~ 10000	30 ~ 300	≤650	2"
F-BF3024	1200 ~ 12000	35 ~ 350	≤650	2"
F-BF3025	1400 ~ 14000	40 ~ 400	≤650	2"
F-BF3026	1500 ~ 15000	45 ~ 450	≤ 1000	2"
F-BF3027	1800 ~ 18000	60 ~ 600	≤800	2½"
F-BF3028	2000 ~ 20000	75 ~ 750	≤800	2½"
F-BF3029	2300 ~ 23000	90 ~ 900	≤850	3"
F-BF3030	2500 ~ 25000	120 ~ 1200	≤ 1000	3"
F-BF3031	2800 ~ 28000	-----	≤ 1100	3"
F-BF3032	3000 ~ 30000	-----	≤ 1200	3"
F-BF3033	3500 ~ 35000	-----	≤ 1000	4"
F-BF3034	4000 ~ 40000	-----	≤ 1000	4"
F-BF3035	5000 ~ 50000	-----	≤ 1200	4"
F-BF3036	6000 ~ 60000	-----	≤ 1500	4"

### NOTE

Performance Technical Data are effective with date of issue and are subject to change without prior notice.

## Ordering Information

F-BF300	Code	Type	Code	Connection size
	G	Indicating only	2B	1/2" BSP (Female)
	GS	Indicating + switch	2N	1/2" NPT (Female)
	GT	Indicating 4~20mA (no alarm switch available)	6B	3/4" BSP (Female)
	<b>Code</b>	<b>Flow range</b>	6N	3/4" NPT (Female)
		Refer to <i>Standard Scales</i> ; special range on request.	1B	1" BSP (Female)
	<b>Code</b>	<b>Alarm</b>	1N	1" NPT (Female)
	0	Without alarm switch	4F	1/2" Flange
	C1	One inductive alarm switch	6F	3/4" Flange
	C2	Two inductive alarm switches	10F	1" Flange
	M1	One micro switch	12F	1 1/2" Flange
	M2	Two micro switches	20F	2" Flange
	<b>Code</b>	<b>Body &amp; wetted parts</b>	22F	2 1/2" Flange
	A	316SS, standard	30F	3" Flange
	B	316LSS	40F	4" Flange
	C	PTFE lining + stainless steel	50F	5" Flange
	D	Option		
	<b>Code</b>	<b>Float material</b>	<b>Code</b>	<b>Housing protection</b>
	A	316SS	IP	IP65
	B	316LSS	Ex.	Explosion Proof: CLASS I, GROUPS B, C & D; CLASS II, GROUPS E, F, & G; NEMA 4, 7, 9
	C	PTFE		
	D	Option		
	<b>Code</b>	<b>Connection rating</b>	<b>Code</b>	<b>Fluid</b>
	5	JIS 5K	G	Gas
	10	JIS 10K	O	Oil
	20	JIS 20K	L	Liquid
	15	ANSI 150#	S	Steam
	30	ANSI 300#		
	40	ANSI 400#		
	60	ANSI 600#		
	T	Other: _____		

F-BF300 [ ] [ ] [ ] [ ] [ ] + [ ] [ ] [ ] Complete ordering code

### NOTE:

1. Custom-made flow range and flange size upon request.
2. Please fill in the ordering information and service condition, and fax this sheet along with your inquiry to 886-7-8225588.

### Special instruction, if any:

\_\_\_\_\_  
 \_\_\_\_\_  
 \_\_\_\_\_

### Service Condition:

Fluid name: \_\_\_\_\_  
 Sp. Gr. (density): \_\_\_\_\_  
 Viscosity: \_\_\_\_\_  
 Press.: \_\_\_\_\_  
 Temp.: \_\_\_\_\_  
 Full scale: \_\_\_\_\_



## Fayin Enterprise Limited

8F-2, No.341, Zhong Xiao E. Rd., Sec.4, Taipei City 10696, Taiwan, R.O.C.

http://www.fayin.com.tw TEL:886-2-27723316 FAX:886-2-81926485