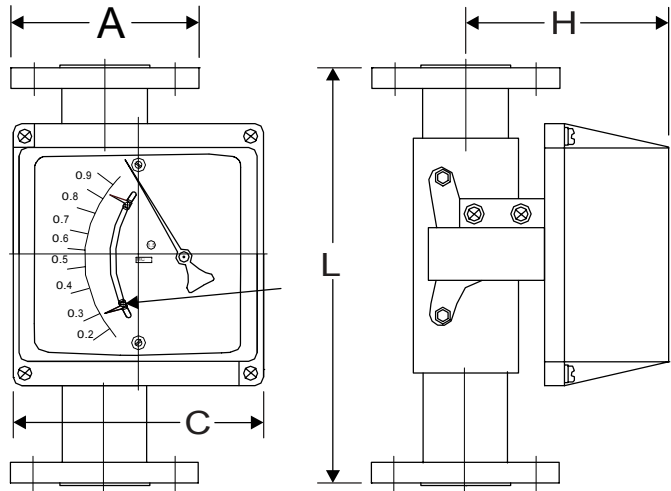


## METAL TUBE VARIABLE AREA TYPE FLOW METER

### MODEL F-H-800FC



#### DIMENSIONS FCS,FCW,FCX,FCV,FCP,FCD m/m

| MODEL | 15  | 20  | 25  | 32    | 40    | 50  | 65    | 80  | 100 | 125 | 150 | 200 |
|-------|-----|-----|-----|-------|-------|-----|-------|-----|-----|-----|-----|-----|
| L     | 250 | 250 | 250 | 250   | 250   | 250 | 250   | 300 | 300 | 400 | 400 | 400 |
| H     | 160 | 160 | 160 | 160   | 160   | 160 | 160   | 160 | 160 | 160 | 160 | 160 |
| C     | 160 | 160 | 160 | 160   | 160   | 160 | 160   | 160 | 160 | 160 | 160 | 160 |
| A     | 95  | 100 | 125 | 135   | 140   | 155 | 175   | 185 | 210 | 250 | 280 | 330 |
| F     | 1/2 | 3/4 | 1   | 1 1/4 | 1 1/2 | 2   | 2 1/2 | 3   | 4   | 5   | 6   | 8   |

#### STANDARD FLOW RANGE

| FLUID SIZE | RANGE      |            |            |            |
|------------|------------|------------|------------|------------|
|            | WATER      | L/MIN.     | AIR        | NM³/Hr     |
| 15         | 10.1-1.0   | 3 0.3-3.0  | 5 3-30     | 7 1-15     |
|            | 2 0.05-0.5 | 4 0.1-1.0  | 6 1-10     | 8 2-20     |
| 18         | 10.5-5.0   | 3 1-10     | 5 10-100   | 7 20-200   |
|            | 2 0.6-6.0  | 4 1-15     | 6 15-150   | 8 25-250   |
| 20         | 1 1.5-15   | 3 2.5-25   | 5 1.5-15   | 7 4.5-45   |
|            | 2 2-20     | 4 3-30     | 6 1.8-18   | 8 2.5-25   |
| 25         | 1 3-30     | 3 6-60     | 5 3-30     | 7 6-60     |
|            | 2 5-50     | 4 8-80     | 6 5-50     | 8 7-70     |
| 32         | 1 5-50     | 3 10-100   | 5 10-100   | 7 15-150   |
|            | 2 8-80     | 4 12-120   | 6 12-120   | 8 20-200   |
| 40         | 1 10-100   | 3 20-200   | 5 15-150   | 7 20-200   |
|            | 2 15-150   | 4 25-250   | 6 18-180   | 8 25-250   |
| 50         | 1 15-150   | 3 25-250   | 5 20-200   | 7 27-270   |
|            | 2 20-200   | 4 30-300   | 6 25-250   | 8 30-300   |
| 65         | 1 30-300   | 3 50-500   | 5 28-280   | 7 36-360   |
|            | 2 40-400   | 4 60-600   | 6 30-300   | 8 40-400   |
| 80         | 1 50-500   | 3 70-700   | 5 40-400   | 7 55-550   |
|            | 2 60-600   | 4 80-800   | 6 50-500   | 8 60-600   |
| 100        | 1 80-800   | 3 120-1200 | 5 60-600   | 7 80-800   |
|            | 2 100-1000 | 4 160-1600 | 6 70-700   | 8 90-900   |
| 125        | 1 100-1000 | 3 180-1800 | 5 80-800   | 7 100-1000 |
|            | 2 150-1500 | 4 200-2000 | 6 90-900   | 8 120-1200 |
| 150        | 1 150-1500 | 3 250-2500 | 5 100-1000 | 7 130-1300 |
|            | 2 200-2000 | 4 300-3000 | 6 120-1200 | 8 140-1400 |
| 200        | 1 200-2000 | 3 300-3000 | 5 400-4000 | 7 180-1800 |
|            | 2 250-2500 | 4 350-3500 | 6 450-4500 | 8 200-2000 |

#### MATERIALS

| BODY      | TAPER TUBE | FLOAT     | BOX         | ALARM  |
|-----------|------------|-----------|-------------|--------|
| S SUS 304 | S SUS 304  | S SUS 304 | S ALUMINIUM | S NO   |
| W SUS 316 | W SUS 316  | W SUS 316 | ALLOY       | H HI   |
| X SUS 316 | X SUS 316  | X SUS 316 |             | L LO   |
| V P.V.C   | V P.V.C    | V P.V.C   |             | A HILO |
| P P.P     | V P.P      | V P.P     | TRANSMITTER |        |
|           |            |           | N NO        |        |
|           |            |           | Y YES       |        |

#### SPECIFICATIONS

| MODEL       | FCS       | FCW          | FCX        | FCV     | FCP   | FCD   | FCO |
|-------------|-----------|--------------|------------|---------|-------|-------|-----|
| MAX.TEMP    | 300°C     |              | 60°C       | 80°C    | 100°C | OTHER |     |
| MAX.PRESS   | 70kg/cm²G |              | 80kg/cm²G  |         | OTHER |       |     |
| CONN.FLANGE | J JIS 10K | A ANSI 150LB | D DIN PN16 | O OTHER |       |       |     |
| ACCURACY    | WATER 2%  |              |            | AIR 3%  |       |       |     |

NOTE:1.0 OTHERS FLOW RANGE

2.F-H-800FC 型流量計是直接垂直安裝於管路上，流體底部進，上部出  
3.F-H-800FC 可加裝 4-20mA 輸出

1. 型式(Model)
2. 流體(Fluid)
3. 材質(Material)
4. 流量範圍(Flow Range)
5. 接續方式(Connection)
6. 操作壓力(Operating pressure)
7. 操作溫度(Operating temperature)
8. 濃度及黏度(Concentration & Viscosity)
9. 比重密度(Specific Gravity & Density)

