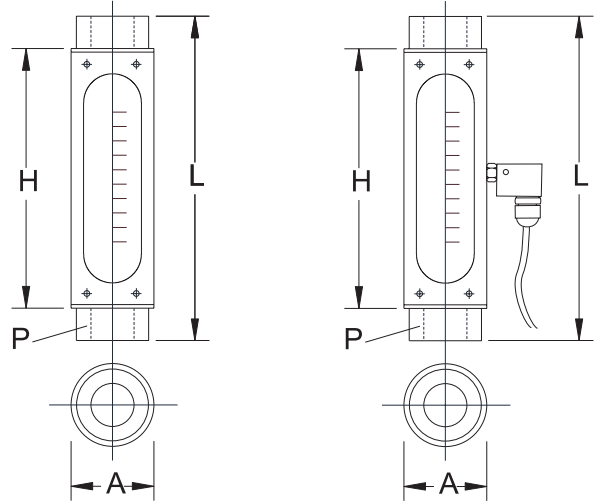


VARIABLE AREA TYPE FLOW METER

MODEL F-H-600P



DIMENSIONS PS,PW,PV,PP,PD m/m

| MODEL | 10 | 15 | 18 | 20 | 25 | 32 | 40 | 50 |
|----------|-----|-----|-----|-----|-----|-------|-------|-----|
| L | 200 | 230 | 230 | 280 | 284 | 284 | 300 | 300 |
| H | 165 | 190 | 190 | 240 | 240 | 240 | 240 | 240 |
| A ϕ | 34 | 42 | 48 | 48 | 60 | 76 | 89 | 101 |
| P | 1/4 | 1/2 | 1/2 | 3/4 | 1 | 1 1/4 | 1 1/2 | 2 |

STANDARD FLOW RANGE

| FLUID SIZE | RANGE | | | |
|------------|------------|------------|------------|------------|
| | WATER | L/MIN. | AIR | NL/MIN. |
| 10 | 1 0.03-0.3 | 3 0.08-0.8 | 5 0.5-5.0 | 7 1-15 |
| | 2 0.05-0.5 | 4 0.1-1.0 | 6 1-10 | 8 2-20 |
| 15 | 1 0.1-1.0 | 3 0.3-3.0 | 5 3-30 | 7 6-60 |
| | 2 0.2-2.0 | 4 0.4-4.0 | 6 5-50 | 8 8-80 |
| 18 | 1 0.5-5.0 | 3 1-10 | 5 10-100 | 7 20-200 |
| | 2 0.6-6.0 | 4 1-15 | 6 15-150 | 8 25-250 |
| 20 | 1 1-10 | 3 2-20 | 5 20-200 | 7 30-300 |
| | 2 1-15 | 4 3-30 | 6 25-250 | 8 50-500 |
| 25 | 1 3-30 | 3 5-50 | 5 50-500 | 7 100-1000 |
| | 2 4-40 | 4 8-80 | 6 80-800 | 8 150-1500 |
| 32 | 1 5-50 | 3 10-100 | 5 150-1500 | 7 250-2500 |
| | 2 8-80 | 4 12-120 | 6 200-2000 | 8 300-3000 |
| 40 | 1 10-100 | 3 20-200 | 5 250-2500 | 7 350-3500 |
| | 2 15-150 | 4 25-250 | 6 300-3000 | 8 400-4000 |
| 50 | 1 15-150 | 3 25-250 | 5 350-3500 | 7 450-4500 |
| | 2 20-200 | 4 30-300 | 6 400-4000 | 8 500-5000 |

MATERIALS

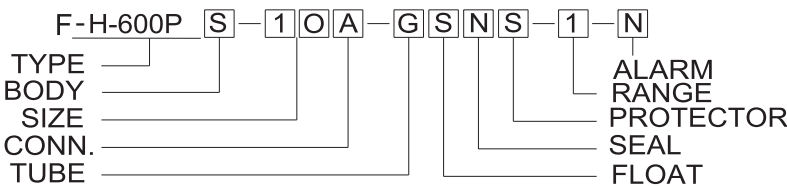
| BODY | FLOAT | TUBE | SEAL | PROTECTOR |
|------------|------------|------------------------|------------|-----------|
| S SUS 304 | S SUS 304 | G GLASS | N NEOPRENE | S SUS 304 |
| W SUS 316 | W SUS 316 | P P.C (POLY CARBONATE) | V VITON | A ACRYLIC |
| V P.V.C | T TEFLON | | T TEFLON | P PAIND |
| P P.P | V P.V.C | S SUS 304 | | ALUMINUM |
| D P.V.D.F. | P P.P | W SUS 316 | ALARM | |
| X SUS 316 | D P.V.D.F. | | N NO | L LO |
| O OTHERS | N NYLON | | H HI | A HI LO |

SPECIFICATIONS

| MODEL | PS | PW | PV | PP | PD | FO |
|----------------|------------------------|--------|---------------------------------|----------|--------|--------|
| MAX. TEMP. | 100°C | | 50°C | 80°C | 100°C | OTHERS |
| MAX. PRESS. | 10kg/cm ² G | | 6kg/cm ² G | | OTHERS | |
| CONN. SCREW | A FPT | B FNPT | | O OTHERS | | |
| ACCURACY | WATER ± 2% F.S | | AIR ± 3% F.S | | | |
| GLASS | TEMP. 100 °C | | PRESS. 4-6kg/cm ² G | | | |
| POLY CARBONATE | TEMP. 100 °C | | PRESS. 6-12kg/cm ² G | | | |

NOTE: 1.0 OTHERS FLOW RANGE

2.H-600P 型流量計是直接垂直安裝於管路上，流體底部進，上部出。



歡迎訂製各式特殊流量計，敬請惠予告知下列之條件：

1. 型式 (Model)
2. 流體 (Fluid)
3. 材質 (Material)
4. 流量範圍 (Flow Range)
5. 接續方式 (Connection)
6. 操作壓力 (Operating pressure)
7. 操作溫度 (Operating temperature)
8. 濃度及黏度 (Concentration & Viscosity)
9. 比重或密度 (Specific Gravity & Density)