

TAKEMOTO DIGITAL MULTI-FUNCTION POWER METER

XM-110

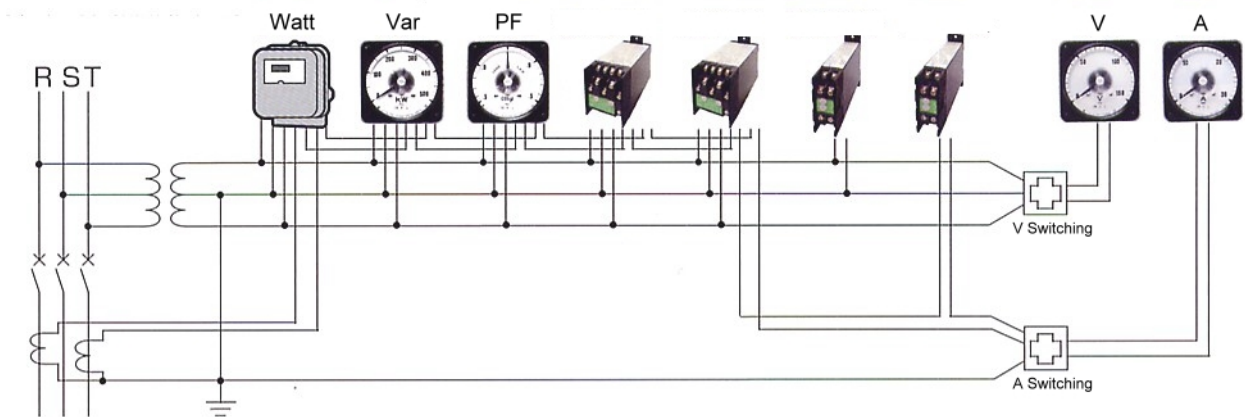
Feature

- Two Display with 4 digits and one Bargraph scale.
- Display up to 6 digits for power & energy.
- 4 analog outputs. 2 pulse outputs. 2 alarm outputs.
- Demand AMP, Volt ,power.
- Harmonic Amp, Lovlt.
- RS-485 communication output.
- 4 quadrant, Bi direction energy motering.
- Big LCD graphic illuminated display.
- LCD back lighting.
- measurement more than display 50 parameters.
- Programmable CT/VT ratio.
- Auxiliary power supply for 85 - 265 VAC, or DC 20 - 30V.
- Meter remove able front back housing with short.Device for short CT loop when meter remove form housing.

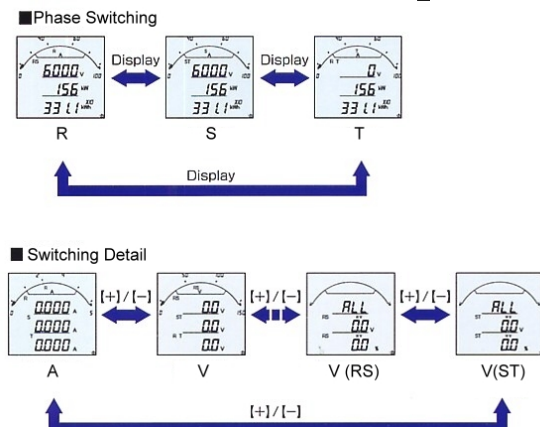
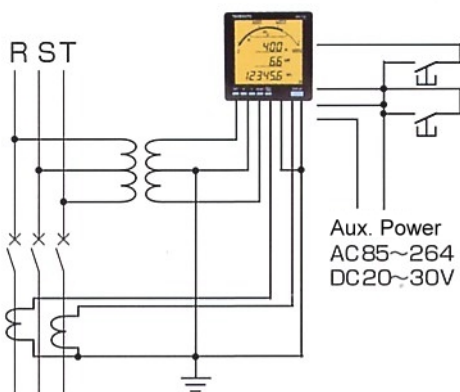


Configuration Diagram

- The configuration of traditional power meter



- The configuration of XM-110



TAKEMOTO

DIGITAL MULTI-FUNCTION POWER METER

XM-110

Parameter Display Selection Table

Itme		01	02	03	04	05	06	07	08	09	10	11	12	13	14	15	00
Display Parameter	Current A	<input type="checkbox"/>	<input type="checkbox"/>	<input type="checkbox"/>	<input type="checkbox"/>	<input type="checkbox"/>	<input type="checkbox"/>	<input type="checkbox"/>	<input type="checkbox"/>	<input type="checkbox"/>	<input type="checkbox"/>	<input type="checkbox"/>	<input type="checkbox"/>	<input type="checkbox"/>	<input type="checkbox"/>	<input type="checkbox"/>	<input type="checkbox"/>
	Voltage V	<input type="checkbox"/>	<input type="checkbox"/>	<input type="checkbox"/>	<input type="checkbox"/>	<input type="checkbox"/>	<input type="checkbox"/>	<input type="checkbox"/>	<input type="checkbox"/>	<input type="checkbox"/>	<input type="checkbox"/>	<input type="checkbox"/>	<input type="checkbox"/>	<input type="checkbox"/>	<input type="checkbox"/>	<input type="checkbox"/>	<input type="checkbox"/>
	Watt kW	<input type="checkbox"/>	<input type="checkbox"/>	<input type="checkbox"/>	<input type="checkbox"/>	<input type="checkbox"/>	<input type="checkbox"/>	<input type="checkbox"/>	<input type="checkbox"/>	<input type="checkbox"/>	<input type="checkbox"/>	<input type="checkbox"/>	<input type="checkbox"/>	<input type="checkbox"/>	<input type="checkbox"/>	<input type="checkbox"/>	<input type="checkbox"/>
	Watt Hour kWh	<input type="checkbox"/>	<input type="checkbox"/>	<input type="checkbox"/>	<input type="checkbox"/>	<input type="checkbox"/>	<input type="checkbox"/>	<input type="checkbox"/>	<input type="checkbox"/>	<input type="checkbox"/>	<input type="checkbox"/>	<input type="checkbox"/>	<input type="checkbox"/>	<input type="checkbox"/>	<input type="checkbox"/>	<input type="checkbox"/>	<input type="checkbox"/>
	Var kvar	<input type="checkbox"/>	<input type="checkbox"/>	<input type="checkbox"/>	<input type="checkbox"/>	<input type="checkbox"/>	<input type="checkbox"/>	<input type="checkbox"/>	<input type="checkbox"/>	<input type="checkbox"/>	<input type="checkbox"/>	<input type="checkbox"/>	<input type="checkbox"/>	<input type="checkbox"/>	<input type="checkbox"/>	<input type="checkbox"/>	<input type="checkbox"/>
	Var Hour kvarh	<input type="checkbox"/>	<input type="checkbox"/>	<input type="checkbox"/>	<input type="checkbox"/>	<input type="checkbox"/>	<input type="checkbox"/>	<input type="checkbox"/>	<input type="checkbox"/>	<input type="checkbox"/>	<input type="checkbox"/>	<input type="checkbox"/>	<input type="checkbox"/>	<input type="checkbox"/>	<input type="checkbox"/>	<input type="checkbox"/>	<input type="checkbox"/>
	Power Factor %(PF)	<input type="checkbox"/>	<input type="checkbox"/>	<input type="checkbox"/>	<input type="checkbox"/>	<input type="checkbox"/>	<input type="checkbox"/>	<input type="checkbox"/>	<input type="checkbox"/>	<input type="checkbox"/>	<input type="checkbox"/>	<input type="checkbox"/>	<input type="checkbox"/>	<input type="checkbox"/>	<input type="checkbox"/>	<input type="checkbox"/>	<input type="checkbox"/>
	Frequency Hz	<input type="checkbox"/>	<input type="checkbox"/>	<input type="checkbox"/>	<input type="checkbox"/>	<input type="checkbox"/>	<input type="checkbox"/>	<input type="checkbox"/>	<input type="checkbox"/>	<input type="checkbox"/>	<input type="checkbox"/>	<input type="checkbox"/>	<input type="checkbox"/>	<input type="checkbox"/>	<input type="checkbox"/>	<input type="checkbox"/>	<input type="checkbox"/>
	Demand Amp DA	<input type="checkbox"/>	<input type="checkbox"/>	<input type="checkbox"/>	<input type="checkbox"/>	<input type="checkbox"/>	<input type="checkbox"/>	<input type="checkbox"/>	<input type="checkbox"/>	<input type="checkbox"/>	<input type="checkbox"/>	<input type="checkbox"/>	<input type="checkbox"/>	<input type="checkbox"/>	<input type="checkbox"/>	<input type="checkbox"/>	<input type="checkbox"/>
	Max. DA MDA	<input type="checkbox"/>	<input type="checkbox"/>	<input type="checkbox"/>	<input type="checkbox"/>	<input type="checkbox"/>	<input type="checkbox"/>	<input type="checkbox"/>	<input type="checkbox"/>	<input type="checkbox"/>	<input type="checkbox"/>	<input type="checkbox"/>	<input type="checkbox"/>	<input type="checkbox"/>	<input type="checkbox"/>	<input type="checkbox"/>	<input type="checkbox"/>
Unit	Bar Graph	PF	PF	PF	PF	A	DA	DA	DA	DA	A	PF	PF	A	A(R)	V(RS)	任意
	Top Indicator(3/4 dig.)	V	V	A	V	V	MDA	MDA	MDA	MDA	V	Hz	Hz	V	A(R)	V(RS)	任意
	Mid Indicator(3/4 dig.)	A	A	W	W	W	A	A	V	W	W	W	Var	A	A(S)	V(ST)	任意
	Bottom Indicator (4/6dig.)	W	Wh	Wh	Wh	Wh	V	Wh	Wh	Wh	Var	Wh	Varh		A(T)	V(TR)	任意

Model Number Selection

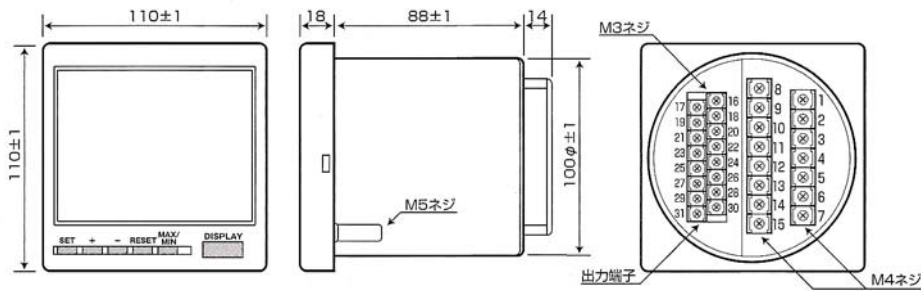
XM-110- ① ② ③ - ④ ⑤ 0 - ⑦ ⑧ ⑨

①		②		③	
Input		Input Voltage		Input Current	
0	1Phase-2Wire	1	110V (3 φ 4 is 110V/√3)	1	1A
1	1Phase-3Wire				
3	3Phase-3Wire	2	220V (3 φ 4 is 220V/√3)	5	5A
4	3Phase-4Wire				
④		⑤		-	
Output 1		Output 2		Scale Expanded	
0	None	0	None	0	None
1	4~20 mA x 4	1	Pulse + Alarm		
4	0~1 mA x 4	2	Alarm x 2		
5	0~10 V x 4	3	Pulse x 2		
6	1~5 V x 4				
7	0~5 V x 4				
M	Modbus + Contact Input x 3				
⑦		⑧		⑨	
Aux. Power Supply		LCD Back Lighting Color		Display Color	
1	AC 85~264V or DC 85~143V	1	Amber (Std.)		Black (Std.)
		2	Orange		
2	DC 20~30 V	3	Green	I	White
		4	White		

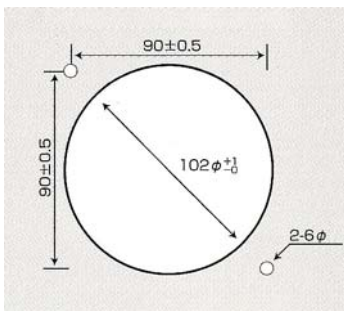
TAKEMOTO DIGITAL MULTI-FUNCTION POWER METER

XM-110

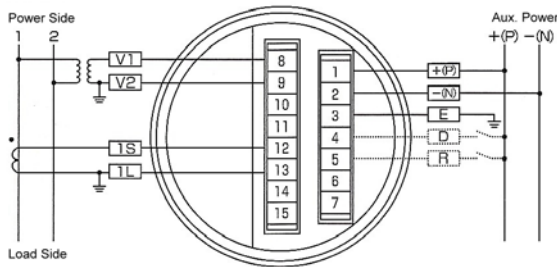
Case Dimension



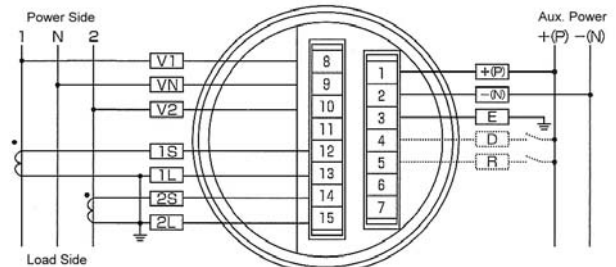
Installation Dimension



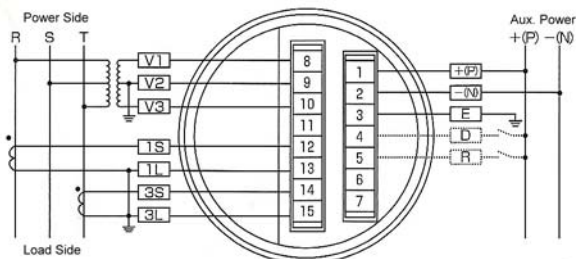
Connection Dimension



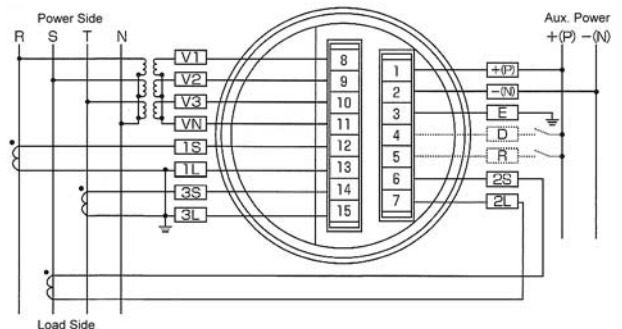
1 Phase - 2 Wire



1 Phase - 3 Wire



3 Phase - 3 Wire



3 Phase - 4 Wire